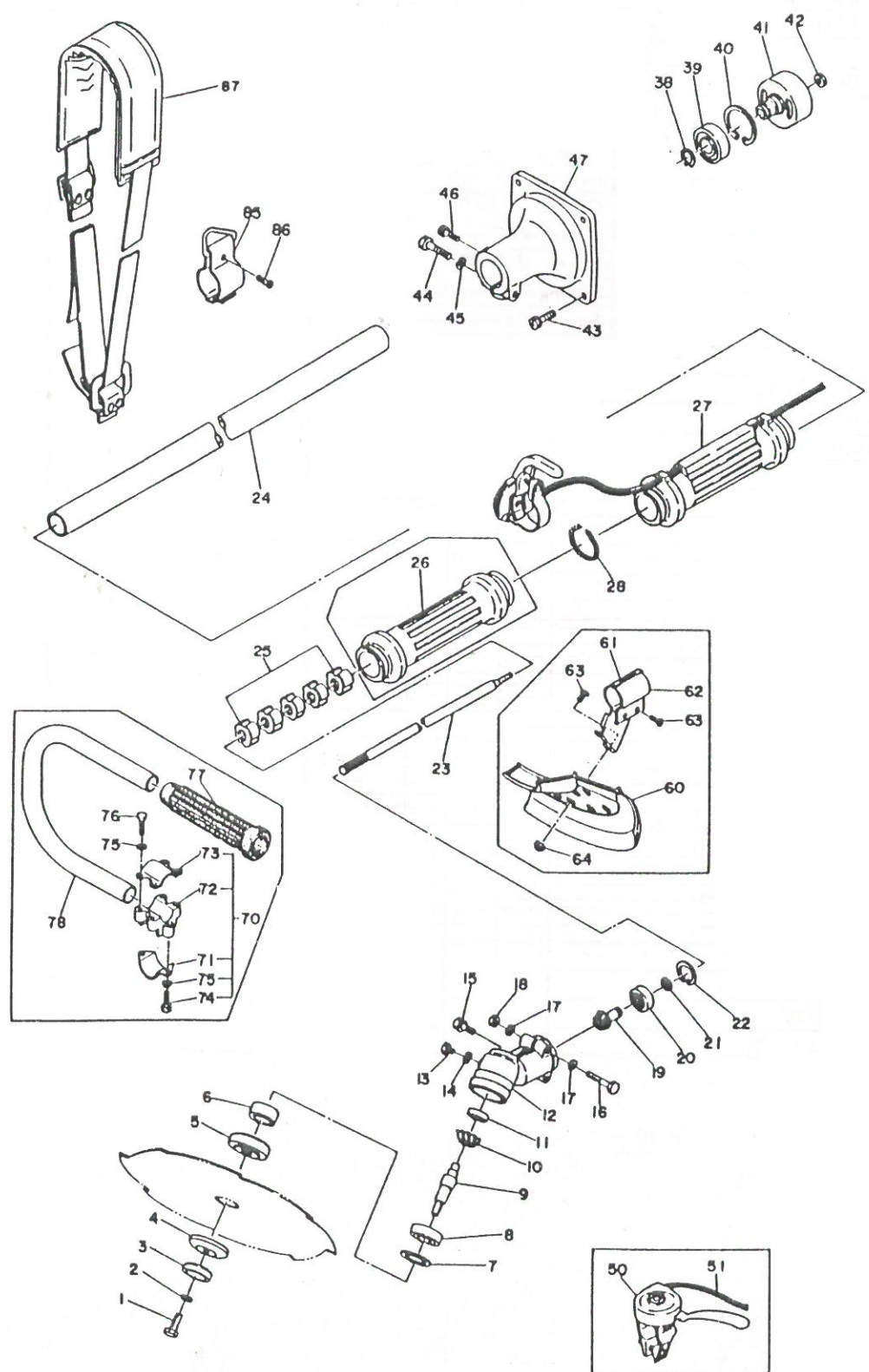


ATTACHMENT ILLUSTRATION

Model : T110



ATTACHMENT PARTS LIST

Item No	Part No	Part Name	Pce.(s)/Unit	Remark
	708041	Gear Housing Assy	1	
1	708003	· Screw-Cutter Blade	1	
2	710022	· Spring Washer	1	
3	708004	· Cup Washer	1	
4	708042	· Lower Clamp	1	
5	708068	· Upper Clamp	1	
7	621026	· Snap Ring R-26	1	
8	600005	· Ball Bearing 6000D	1	
9	708007	· Gear Shaft	1	
10	708008	· Gear	1	
11	606260	· Ball Bearing 626	1	
12	708045	· Gear Housing	1	
13	630608	· Screw M6×8	1	
14	650061	· Washer 6φ	1	
15	662510	· Screw M5×10	1	
16	630532	· Screw M5×32	2	
17	650051	· Washer 5φ	4	
18	702038	· Nut M5	2	
19	708046	· Pinion Gear	1	
20	606091	· Ball Bearing 608Z	1	
21	620009	· Snap Ring S-9	1	
22	621024	· Snap Ring R-24	1	
23	708049	Driveshaft	1	
24	708050	Driveshaft Housing Assy	1	
25		· Metal	5	
26	708013	Grip A	1	Option
27	709044	Grip C Ø24	1	
28	704096	Spring	4	
29	710021	Screw-M5×22	2	S-210D
30	651050	Spring Washer 5φ	2	do.
31	662412	Screw M4×12	4	do.
32	708051	Clamp L	1	do.
33	708052	Clamp R	1	do.
34	708054	Mount	1	do.
35	708055	Shim	4	do.
36	708058	Clutch Housing Assy	1	do.
37	708053	· Clutch Housing	1	do.
38	708056	· Bush	1	do.
39	620010	Snap Ring S-10	1	
40	602006	· Ball Bearing 6200DD	1	
41	621030	· Snap Ring S-30	1	
42	708057	· Clutch Drum	1	
43	710023	Nut M4.5	1	25
44	710020	Screw M6×16	4	5

T110

Item No	Part No	Part Name	Pce.(s)/Unit	Remark
	708059	Clutch Housing Assy	1	S-210
44	710021	· Screw M5×22	1	do.
45	651050	· Spring Washer 5φ	1	do.
46	662510	· Screw	2	do.
47	708060	· Clutch Housing	1	do.
(38)	620010	· Snap Ring S-10	1	
(39)	602002	· Ball Bearing 6200 DD ZZ	1	
(40)	621030	· Snap Ring S-30 R-30	1	
(41)	708057	· Clutch Drum	1	
50	709043	Throttle Lever E355-202 Ø24	1	Option
	727003	Clamp Assy-Shoulder	1	
85	727004	· Clamp	1	
86	632512	· Screw M5×12	1	
87	730430	Strap Assy-Shoulder	1	